

Intermec

Product Profile

- Patented Vista™ Technology
- Scan rate of 270 scans/second
- Durable Sabre® design withstands harsh environments.
- Reads poor quality or damaged bar codes out to 19 inches
- Five-year warranty guarantees customer satisfaction
- Free EasySet configuration utility makes initial setup a snap!



S a b r e ® 1 4 0 0 L i n e a r I m a g e r

Data collection needs continue to change and grow and it's no secret that Intermec builds relationships by bringing real value to our customers, which is why we are pleased to offer the Sabre 1400 Linear Imager.

Targeted at industrial and heavy-duty applications, this Vista-powered linear imager is ideal for applications in warehouse and distribution and anywhere durability and strength are required.

The Sabre 1400 combines the exceptional speed and performance of Intermec's patented Vista™ technology with the range and precision of laser scanners. A scanning range of up to 19 inches on damaged or poorly printed bar codes, an intuitive, bright, sharp scan line and ergonomic design make the 1400 extremely user friendly.

Built on the highly acclaimed Sabre® platform of scanners, the 1400 carries one of the highest durability ratings of any scanner on the market. Windblown rain and dust, arctic to desert temperatures, and off-road vehicle vibrations are no match for the 1400—proving the 1400 is built for the harshest environments.

What's more, exceptional durability combined with low power consumption makes the Sabre 1400 an excellent choice for portable data collection in warehouse, manufacturing, and distribution applications. Capturing data at a rate of 270 scans per second, nearly 7 times faster than conventional laser scanners, the 1400 has an insatiable need for speed. Plus, the 1400 will capture bar codes directly off the display of a laptop or vehicle mounted computer—a feature laser scanners only dream about.

Setting up the 1400 is a breeze with EasySet – a software utility for quick and easy configuration of Intermec scanners. There's no need to page through thick manuals to turn on/off features required for your application. With a point and click you can print a barcode that configures your linear imager with a single scan. Even better, every 1400 Linear Imager comes with EasySet configuration software free of charge.

It's time to improve your "image" with the Vista-powered™ 1400—your linear imaging solution.

Intermec

Physical Description

The Sabre 1400 is a light-weight linear imager made from ruggedized, molded plastic and protective rubber overmolding.

Physical Characteristics

Length: 8.9 cm (3.5")
Height: 17.8 cm (7.0")
Width: 5.6 cm (2.5")
Weight: 6.5 oz (185 g) without cable

Power

Supply: 140mA nominal at 4.6 to 5.5 V

Hardware

Interfaces: RS-232c Serial, IBM PC XT/AT or PS/2 30/50-80, Apple Mac ADB, RS-232TTL, IBM 3151/347X/318X/319X, IBM Thinkpad, Espirit 200/400, Wyse, Zenith CruisePAS, laptops, and Intermec Terminals

Bar Code Symbologies

UPC (E&A), EAN, Code 11, Code 39, Code 128, UCC EAN 128, ISBN, ISBT, Interleaved 2 of 5, Codabar, Code 93, MSI, Plessey, Telepen, ISBT 128

Scanning Performance

Scan rate: 270 scans/s
Minimum X dimension: down to 0.05 mm (2mil) on Code 39
Depth of field: 2.3 to 48.3 cm (0.9 to 19.0")
Scan angles: 48° nominal
PCR: down to 20%
Code width: up to 18 cm (7.0") on 0.3 mm (12mil) resolution code
Skew: ±48°
Pitch: ±48°

Accessories

- 062443 Scanner Pouch
- 068174 Holster and Belt
- 068175 Vehicle Mount Holder
- 068176 Wall Mount Holder
- 068483 Desk Mount Holder
- 068484 Hands-free Stand

Environment

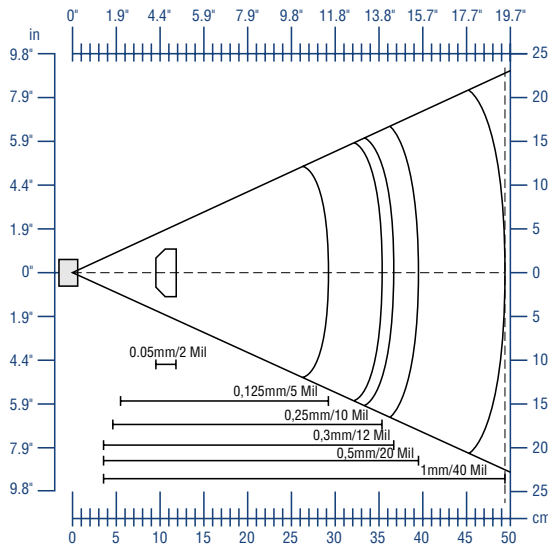
Operating Temperature: -30 to 60° C (-22 to 140° F)
Storage Temperature: -40 to 60° C (-40 to 140° F)
Humidity: 5% to 95% (non-condensing)
Shock and Vibration Protection: Shock: 2000G / Vibration: 50G r.m.s.
Rain and Dust Resistance: Sealed against windblown rain and dust
Drop Survival: 26 six foot drops to concrete

Regulatory Approvals

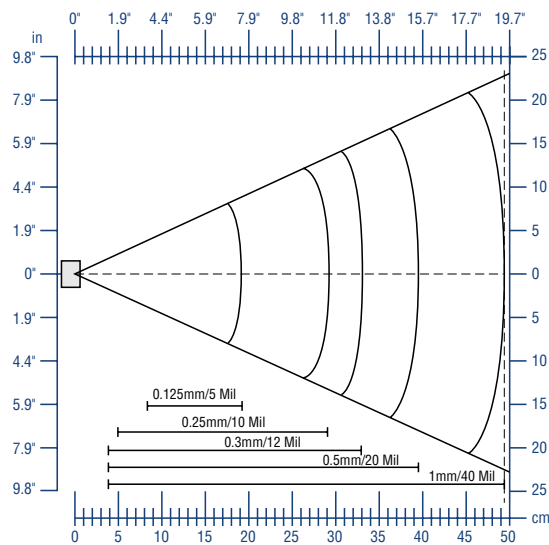
Not available yet

Intermec reserves the right to make changes without notice to any products herein for any reason at any time, including but not limited to improving the reliability, form, fit, function or design. Please contact Intermec for current price list and availability.

Reading Distance on Code 39*



Reading Distance on other Symbologies



North America
Corporate Headquarters
 6001 36th Avenue West
 Everett, Washington 98203
 tel: 425.348.2600
 fax: 425.355.9551

Systems & Solutions
 550 2nd Street S.E.
 Cedar Rapids, Iowa 52401
 tel: 319.369.3100
 fax: 319.369.3453

Media Supplies
 9290 Le Saint Drive
 Fairfield, Ohio 45014
 tel: 513.874.5882
 fax: 513.874.8487

**Europe/
 Middle East & Africa**
Headquarters
 Sovereign House
 Vastern Road
 Reading, Berkshire RG1 8BT
 United Kingdom
 tel: +44.118.987.9400
 fax: +44.118.987.9401

Asia
Hong Kong
 2602 Convention Plaza
 Office Tower
 1 Harbor Road
 Wanchai, Hong Kong
 tel: 852.2574.9777
 fax: 852.2574.9725

Singapore
 25-16 International Plaza
 10 Anson Road, 079903
 tel: 65.324.8391
 fax: 65.324.8393

Australia
 Level 7, 200 Pacific Highway
 Crows Nest NSW 2065
 Australia
 tel: 61.2.9901.2065
 fax: 61.2.9954.6300

South America & Mexico
Latin America Headquarters
 17921 B SkyPark Circle
 Irvine, California 92614
 tel: 949.442.9393
 fax: 949.757.1687

Mexico
 Tamulipas 141, Primero Piso
 06140 Mexico, D.F.
 tel: 525.55.211.1919
 fax: 525.55.211.8121

Worldwide
Fax Document
Retrieval Service
 800.755.5505
 (North America Only)
 tel: 650.556.8447

Internet
www.intermec.com

Sales
 800.347.2636
 (toll free in N.A.)
 tel: 425.348.2726

Service and Support
 800.755.5505
 (toll free in N.A.)
 tel: 425.356.1799

Copyright © 2002 Intermec Technologies Corporation. All rights reserved. Intermec is a registered trademark of Intermec Technologies Corporation. All other trademarks are the property of their respective owners. Printed in the U.S.A. 611106-01B 03/02

In a continuing effort to improve our products, Intermec Technologies Corporation reserves the right to change specifications and features without prior notice.